

MICRO SWITCH
a Honeywell Division

SWITCH - ENCLOSED

CATALOG LISTING
BZE6-2RQ2

FED. MFG. CODE 91929

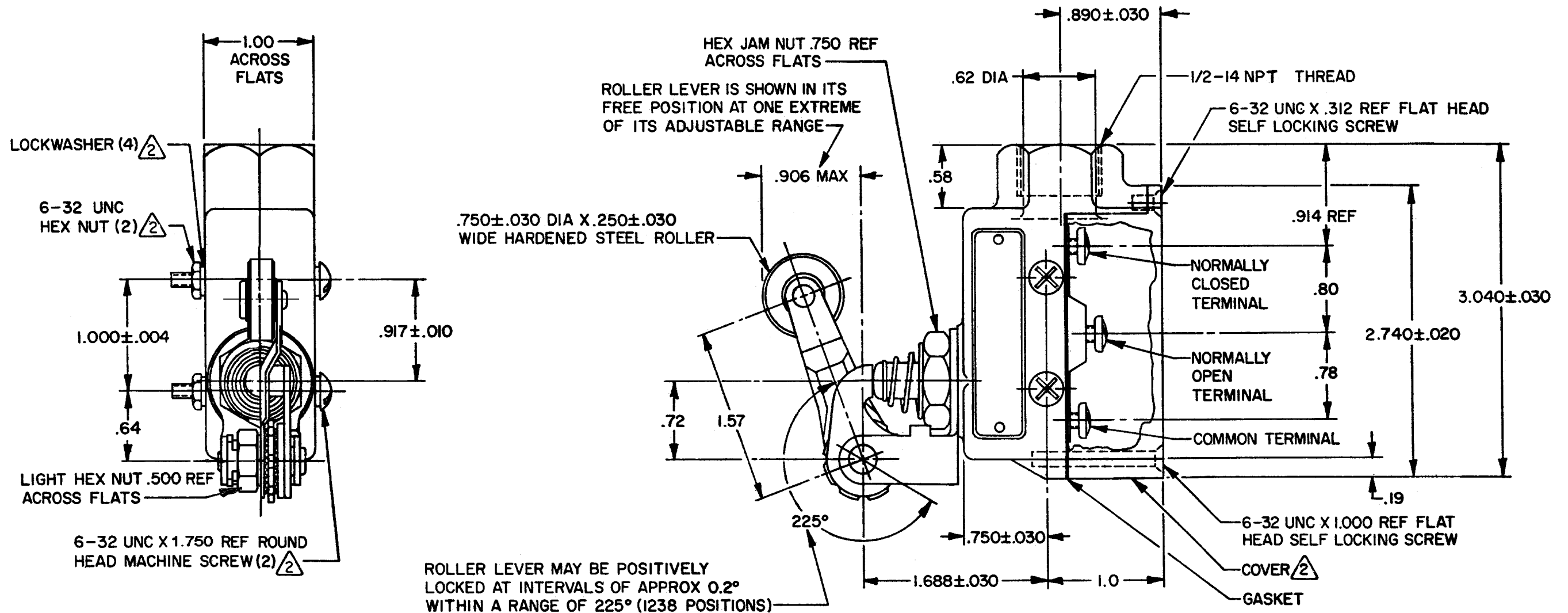
CATALOG LISTING
BZE6-2RQ2

ISSUE
11

REVISIONS

A	C081513B	JAK	4 MAR 97
B	0016894	KRB	10 NOV 05
C	0033014	BS	29AUG07

REPLACES
RELEASE NO.
29AUG07
PSR
CHECK
14 SEP 77
ROB
CHECK
14 SEP 77
KPK
CHECK
12 SEP 77
SLB
DRAWN



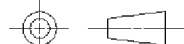
ROLLER LEVER MAY BE POSITIVELY LOCKED AT INTERVALS OF APPROX 0.2° WITHIN A RANGE OF 225° (1238 POSITIONS)

NOTES

- 1 - 6-32 UNC X .219 REF BINDING HEAD TERMINAL SCREW AND CUPWASHER (3)
- 2 - FURNISHED UNASSEMBLED
- 3 - ROLLER LEVER BRACKET ASSEMBLY MAY BE SET AT ANY ONE OF EIGHT POSITIONS SPACED 45° APART
- 4 - SEAL RATING: NEMA1
IP40

THIS DRAWING COVERS A PROPRIETARY ITEM AND IS THE PROPERTY OF MICRO SWITCH, A DIVISION OF HONEYWELL. THIS DRAWING IS NOT TO BE COPIED OR USED WITHOUT THE APPROVAL OF MICRO SWITCH

THIRD ANGLE PROJECTION



CHARACTERISTICS	ELECTRICAL DATA
OPERATING FORCE - - - - - 10 - 18 OZ	CONTACT ARRANGEMENT S P D T
RELEASE FORCE - - - - - 6 OZ MIN	L74 15A 125, 250 OR 480 VAC
PRETRAVEL - - - - - .188 MAX	2A 600 VAC
DIFFERENTIAL TRAVEL - - - .006 MAX	1/8HP 125 VAC, 1/4HP 250 VAC
OVERTRAVEL - - - - - .219 MIN	1/2A 125 VDC, 1/4A 250 VDC
BASIC SWITCH REPLACEMENT - - - BZ-2RQ68	FIG. 74

1.5A, 240 Vac	UL	CS
---------------	----	----

SCALE FULL	DO NOT SCALE PRINT
UNLESS OTHERWISE SPECIFIED TOLERANCES ARE	
ONE PLACE (.0) ±.030	TWO PLACE (.00) ±.015
THREE PLACE (.000) ±.005	ANGLES ±
WEIGHT .70 LB	